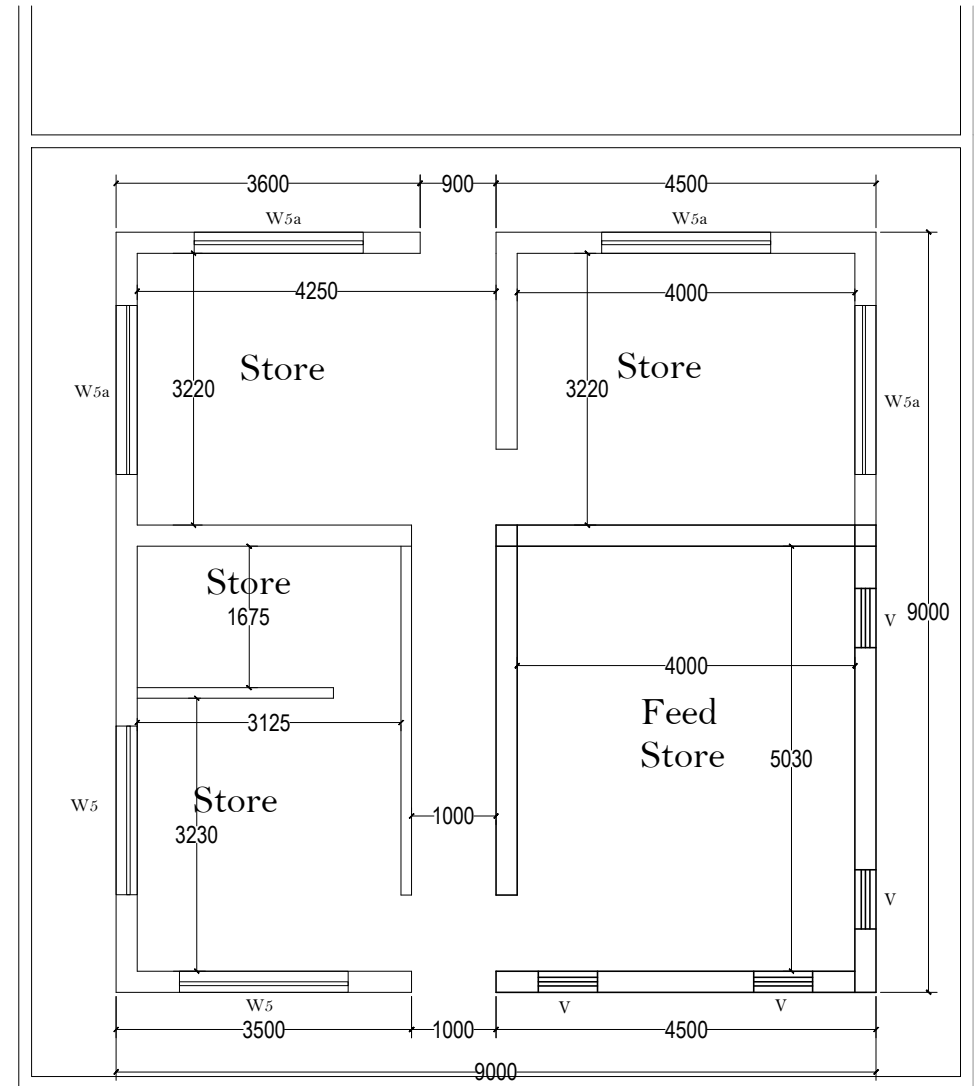
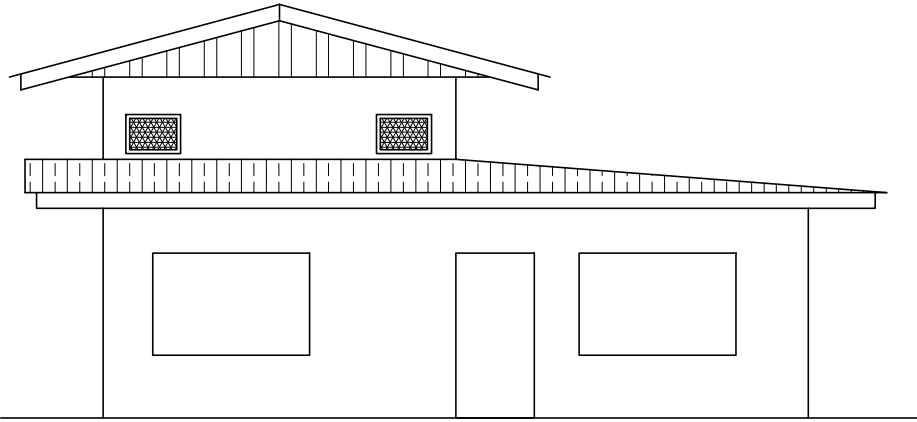


Existing Plan

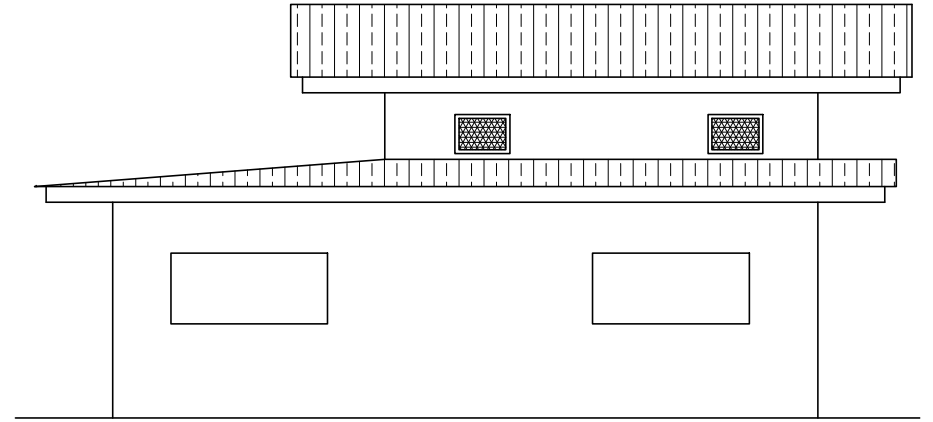


Proposed Plan

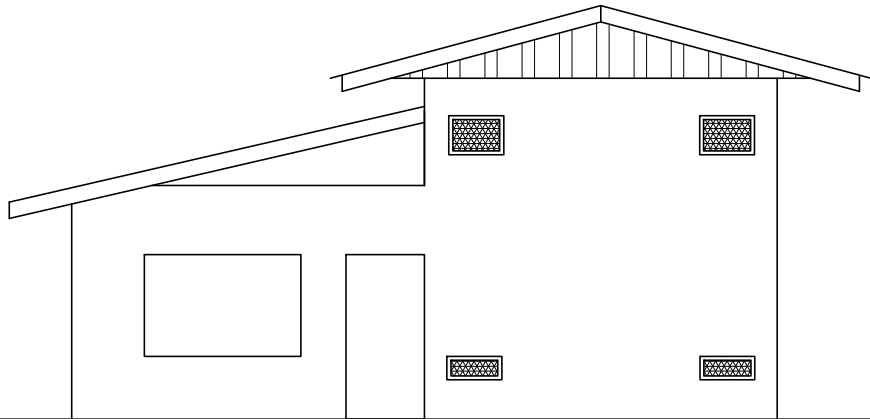
NATIONAL CENTRE FOR AQUACULTURE AT GELEPHU	SUBJECT : <b>FLOOR LAYOUT PLAN</b>		PAGE : "001"
			UNITS : "mm"
			SCALE : "NTS"
			File Name :
<b>FEED STORE RENOVATION</b>	Revision	DESIGNED BY:- <i>Chengay</i>	CHECKED BY:-  APPROVED BY:-
	Date:-	DRAWN BY:- <i>Chengay</i>	



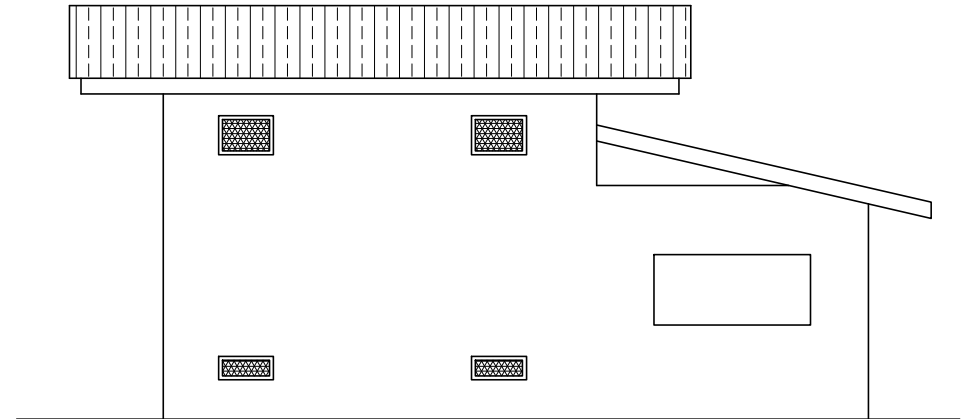
Rear Elevation



Left Elevation

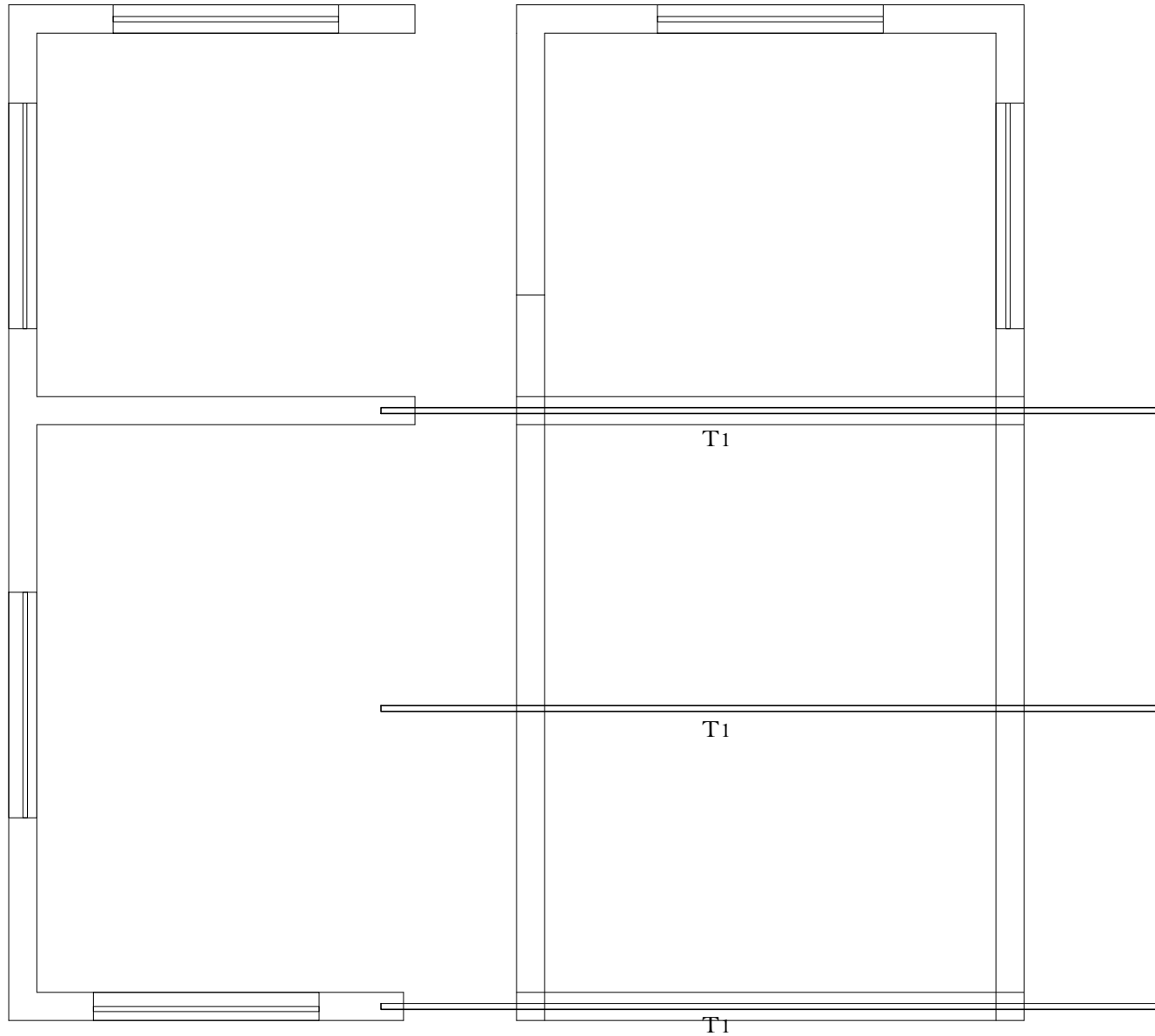


Front Elevation

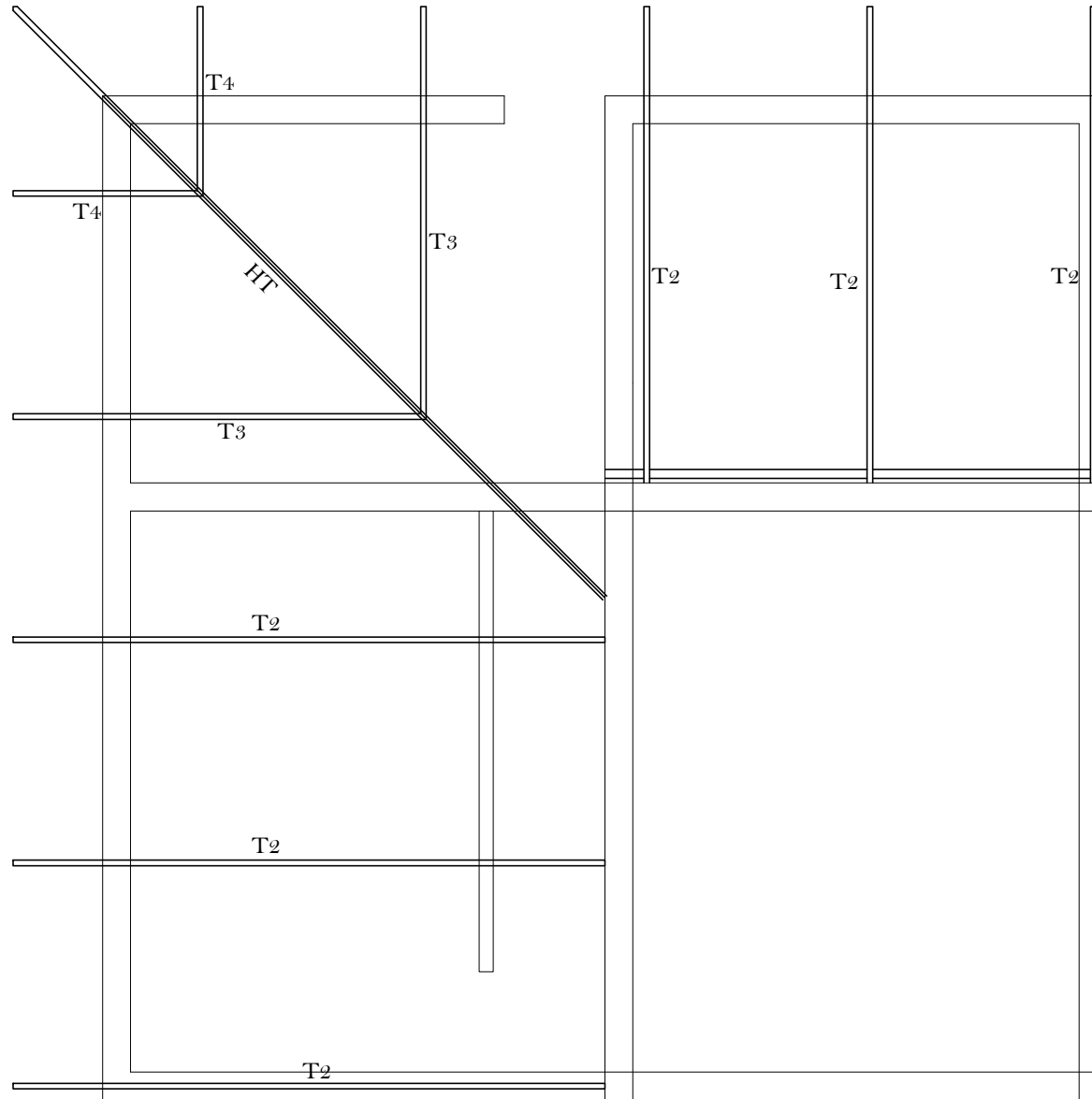


Right Elevation

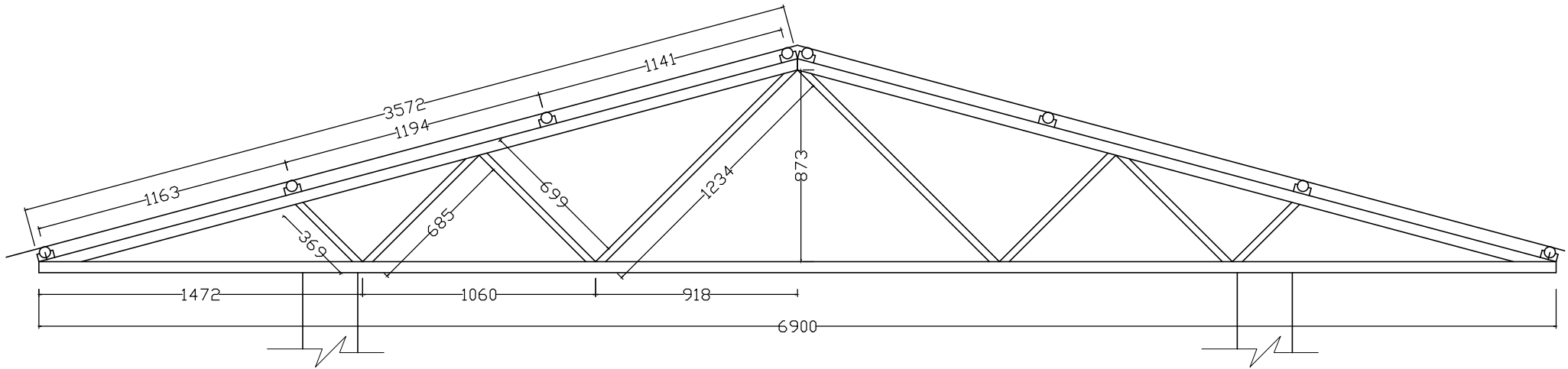
NATIONAL CENTRE FOR AQUACULTURE AT GELEPHU	SUBJECT :		PAGE : "002"
	<b>ELEVATIONS</b>		UNITS : "mm"
<b>FEED STORE RENOVATION</b>	Revision	DESIGNED BY:- <i>Chengay</i>	CHECKED BY:-
	Date:-	DRAWN BY:- <i>Chengay</i>	APPROVED BY:-
			SCALE : "NTS"
			File Name :



NATIONAL CENTRE FOR AQUACULTURE AT GELEPHU		SUBJECT :		PAGE : "003"
		<b>TRUSS PLAN</b>		UNITS : "mm"
<b>FEED STORE RENOVATION</b>		Revision	DESIGNED BY:- <i>Chengay</i>	CHECKED BY:-
		Date:-	DRAWN BY:- <i>Chengay</i>	APPROVED BY:-
		File Name :		



NATIONAL CENTRE FOR AQUACULTURE AT GELEPHU		SUBJECT :		PAGE : "004"
		<b>TRUSS PLAN</b>		UNITS : "mm"
<b>FEED STORE RENOVATION</b>		Revision	DESIGNED BY:- <i>Chengay</i>	CHECKED BY:-
		Date:-	DRAWN BY:- <i>Chengay</i>	APPROVED BY:-
				SCALE : "NTS"
				File Name :



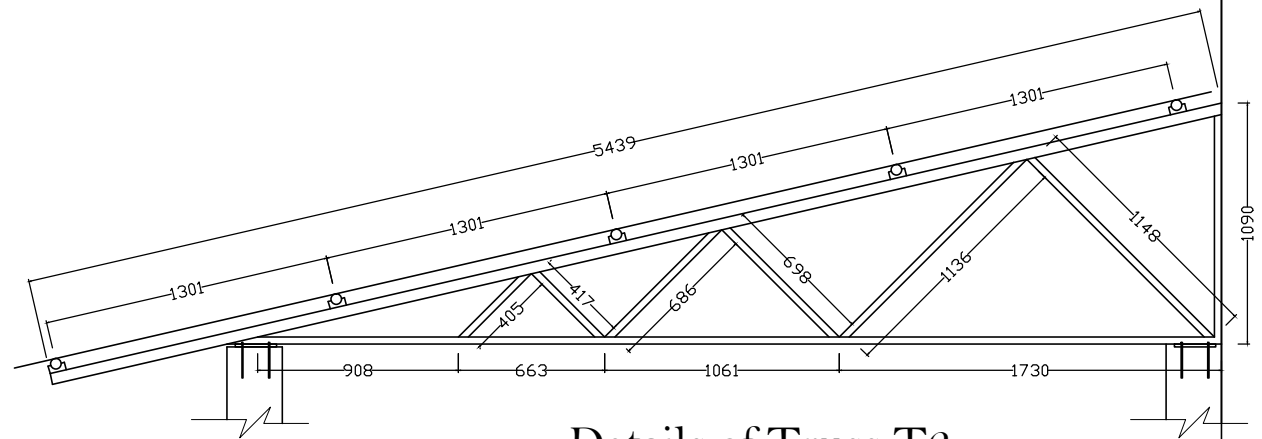
**Details of Truss T1**

**Tubular Truss Specifications**

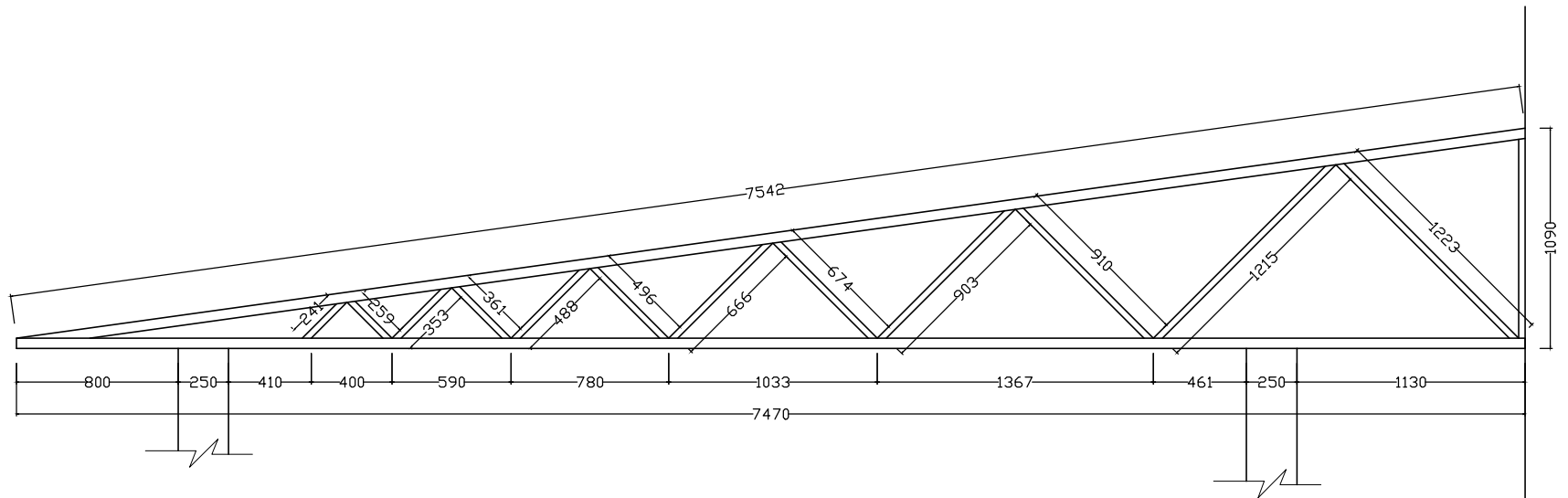
<u>Levels</u>	<u>Inner Dia</u>	<u>Outer Dia</u>	<u>Type</u>	<u>Weight(kg/m)</u>
P.R (a-c)	50 mm	60.3mm	M	5.1 kg
Tie (b-c)	40 mm	48.3mm	M	3.61 kg
Struds	25 mm	33.7mm	M	2.46 kg
Purlins	32 mm	42.4mm	M	3.15 kg

*NOTES:*  
 Tubular steel of YST22 grade to be used.  
 All connections to be with fillet weld of 3mm size  
 Purlin 32mm nominal bore, medium gauge @1200c/c

NATIONAL CENTRE FOR AQUACULTURE AT GELEPHU		SUBJECT :		PAGE : "005"
		<b>TRUSS DETAILS</b>		UNITS : "mm"
<b>FEED STORE RENOVATION</b>		Revision	DESIGNED BY:- Chengay	CHECKED BY:-
		Date:-	DRAWN BY:- Chengay	APPROVED BY:-
				SCALE : "NTS"
				File Name :

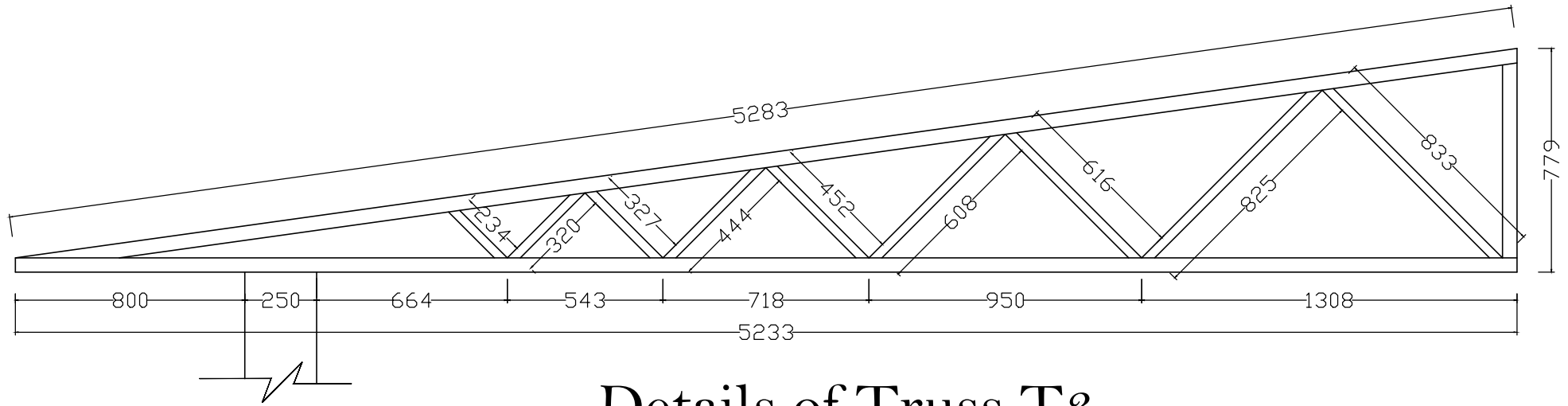


Details of Truss T2

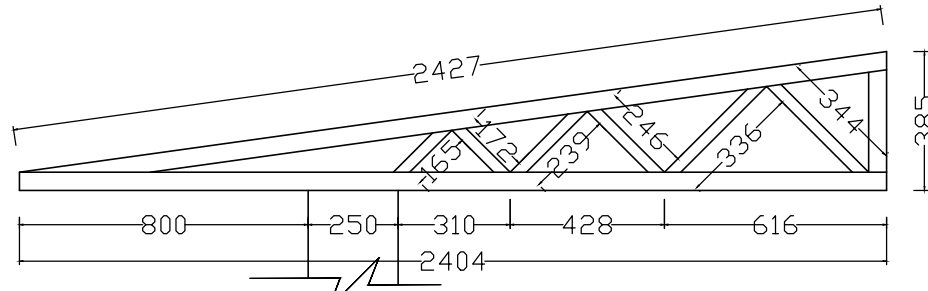


Details of Truss HT

NATIONAL CENTRE FOR AQUACULTURE AT GELEPHU	SUBJECT :		PAGE : "006"
	<b>TRUSS DETAILS</b>		UNITS : "mm"
<b>FEED STORE RENOVATION</b>	Revision	DESIGNED BY:- Chengay	CHECKED BY:-
	Date:-	DRAWN BY:- Chengay	APPROVED BY:-
			File Name :
			SCALE : "NTS"



Details of Truss T3



Details of Truss T4

NATIONAL CENTRE FOR AQUACULTURE AT GELEPHU	SUBJECT :		PAGE : "007"
	<b>TRUSS DETAILS</b>		UNITS : "mm"
<b>FEED STORE RENOVATION</b>	Revision	DESIGNED BY:- Chengay	CHECKED BY:-
	Date:-	DRAWN BY:- Chengay	APPROVED BY:-
			SCALE : "NTS" File Name :